

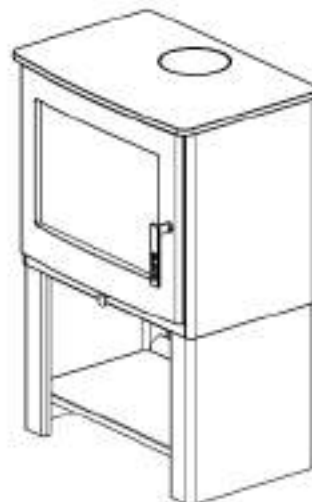
| N° art commercial | Désignation |
|-------------------|------------------------|
| 117317 | ORSON |
| 541132 | ODÉ |
| 117334 | GABIN L VERSION BUCHER |
| 117376 | ULRICH |



117376 ULRICH



117317 ORSON

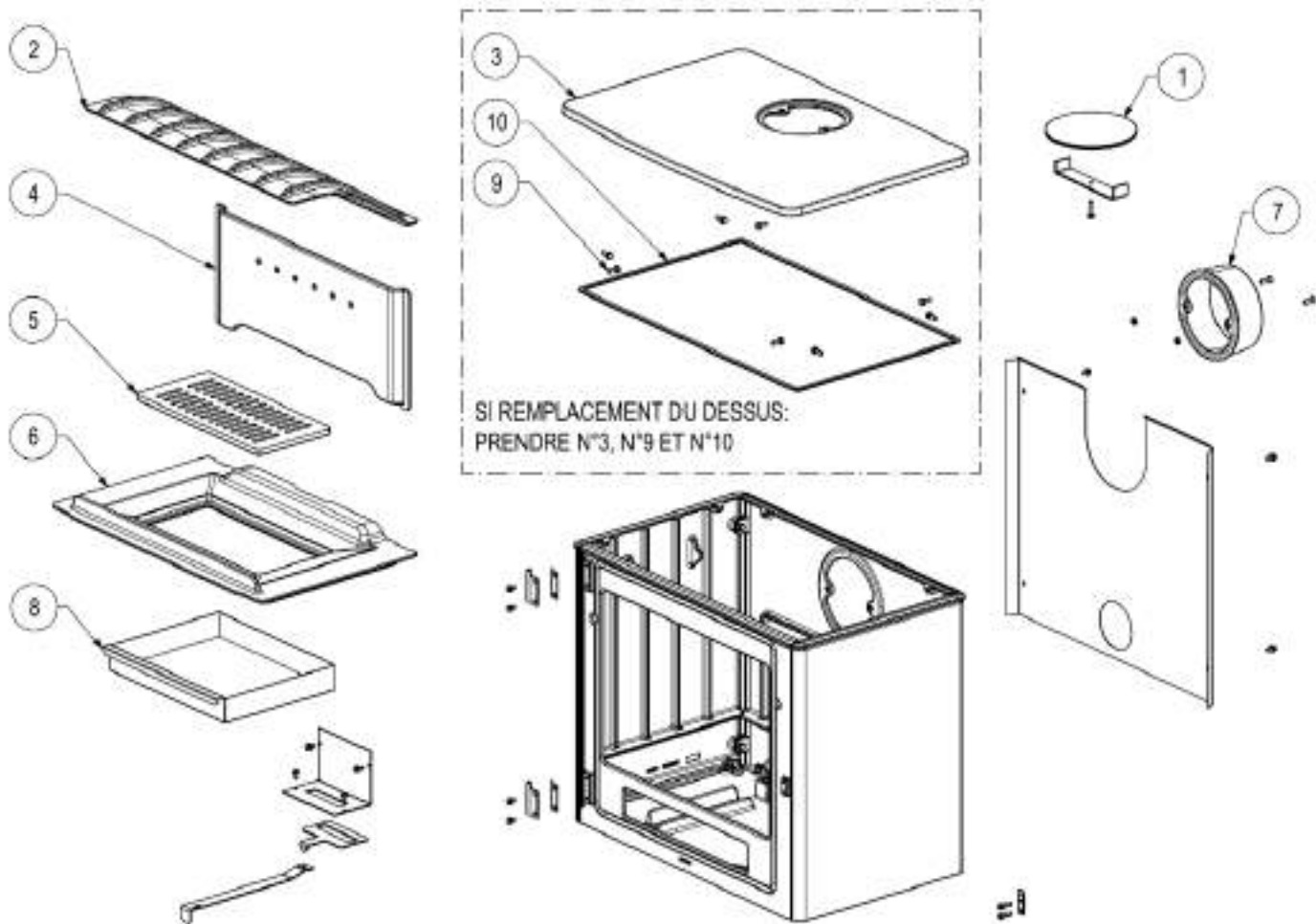


117334 GABIN L VERSION BUCHER



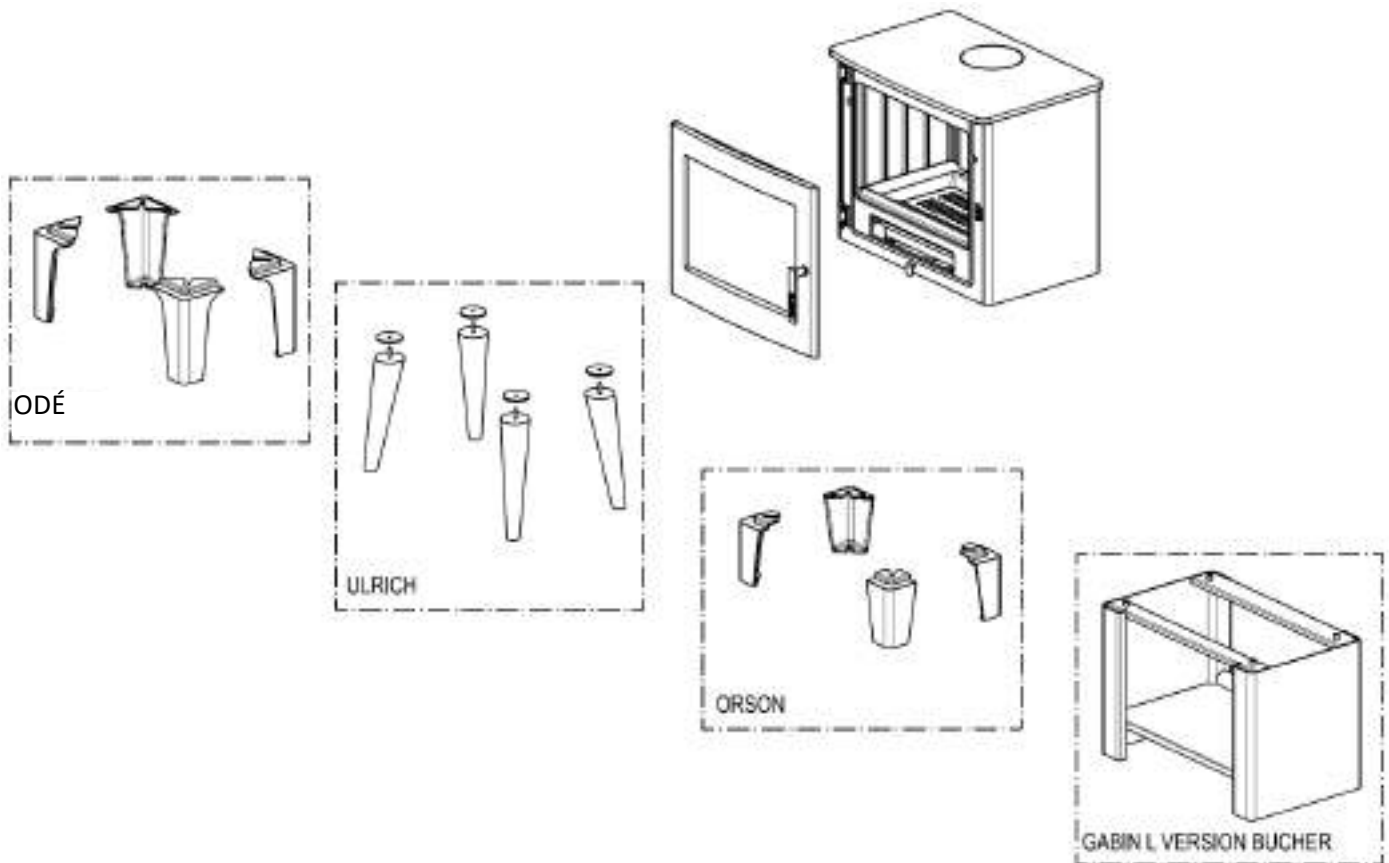
541135 ODÉ

ENSEMBLE COMPOSANTS COMMUNS TOUS APPAREILS



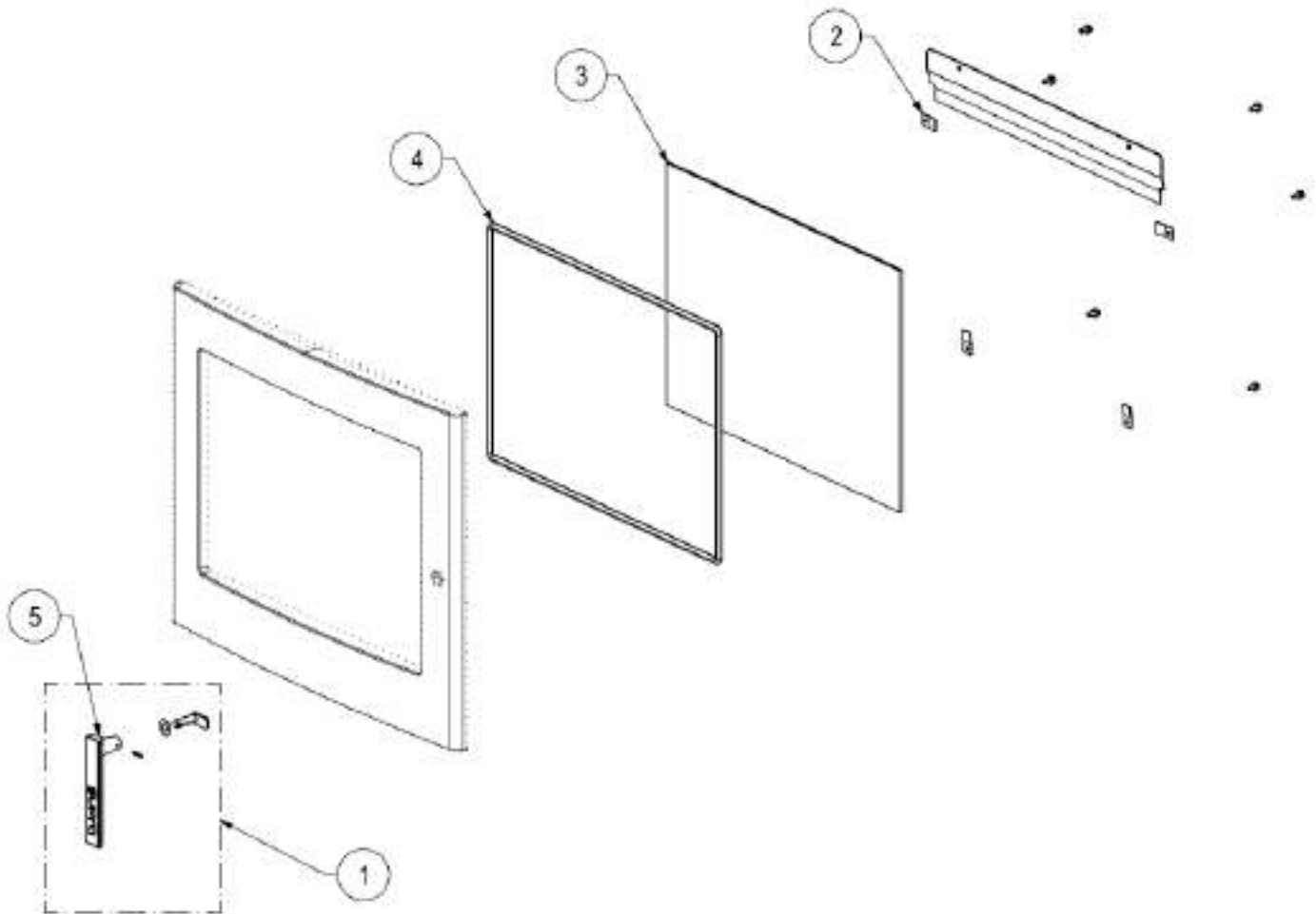
| N° | REF | DESIGNATION | QTE |
|----|------------|---|------|
| 1 | 40479 | TAMPON | 1 |
| 2 | 40763 | DEFLECTEUR | 1 |
| 3 | 45423NOIBC | DESSUS | 1 |
| 4 | 40762 | DOUBLURE D'ATRE | 1 |
| 5 | 40474 | GRILLE | 1 |
| 6 | 40761 | SOLE | 1 |
| 7 | 40478 | BUSE DIA. 150 | 1 |
| 8 | 40485 | CENDRIER | 1 |
| 9 | 45456 | VIS TETE HEXAGONALE EMBASE CRANTEE M6X16 ZBLC | 8 |
| 10 | 45454 | JOINT 7X3mm | 2,2m |
| NR | 41406 | JOINT DE PORTE D.10mm | 2,2m |

ENSEMBLES PIEDS ET PORTE



| DESIGNATION | ORSON 117317 | ODÉ 541135 | GABIN L BUCHER 117334 | ULRICH 117376 | QTE |
|-----------------------------|-----------------|---------------|--------------------------|------------------|-----|
| PORTE COMPLETE | 42350 | 42350 | 42350 | 42350 | 1 |
| PIED (A L'UNITE) | 40726 | 40727 | - | - | 4 |
| LOT DE 4 PIEDS BOIS | - | - | - | 44837 | 1 |
| LOT DE 4 RONDELLES BAKELITE | - | - | - | 43544 | 1 |

COMPOSANTS INTERNES DE LA PORTE COMPLETE 42350



| N° | REF | DESIGNATION | QTE |
|----|-------|---|------|
| 1 | 43427 | ENSEMBLE POIGNEE-LOQUET-GOUPILLE-RONDELLE | 1 |
| 2 | 40483 | PLAQUETTE FIXE VITRE | 4 |
| 3 | 40765 | VITRE 524X370X4 | 1 |
| 4 | 05891 | JOINT FIBRE DE VERRE AUTOCOLLANT D.8 | 1,8m |
| 5 | 40481 | POIGNEE F50/60 | 1 |